

INSTALLATION INSTRUCTIONS OF DIGITAL DOOR LOCK

Lockey M-210 (Built-In type Dead bolt Lock with Throw of Bolt: 25.4mm (1"))

I. THE NAME AND DETAILS OF THE ENCLOSED PARTS

NO.	Name of P arts	NO. M-210
1.	Outside Body	1 piece
2.	Inside Body	1 piece
3.	Rubber Escutcheon	2 pieces
4.	Mortised Strike	1 piece
5.	Spindle for 40-55mm	1 piece
6.	Spindle for 30-45mm	1 piece
7.	Machine Screw M4 x 50mm for above 5	2 pieces
8.	Machine Screw M4 x 35mm for above 6	2 pieces
9.	Wood Screw M4 x 16mm	4 pieces
10.	Key Tumbler (red)	1 piece
11.	Keyless Tumbler (blue)	2 pieces
12.	Dead bolt Unit	1 piece
13.	Tweezers	1 piece
14.	Hexagonal Bolts	2 pieces
15.	Brass Support Pin	1 piece

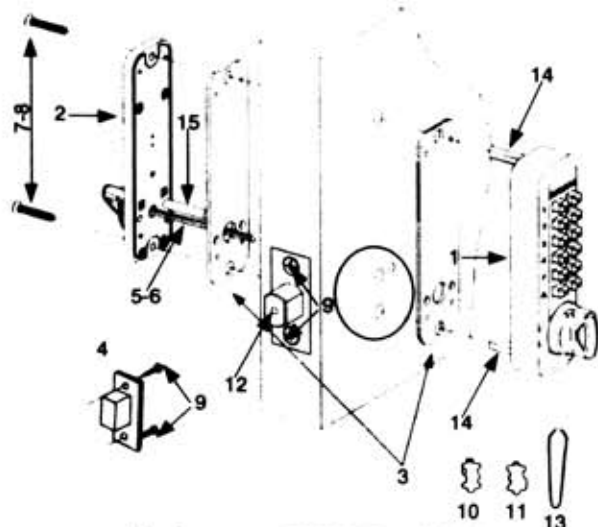
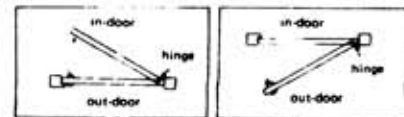


Fig. 1 FOR RIGHT HAND DOOR



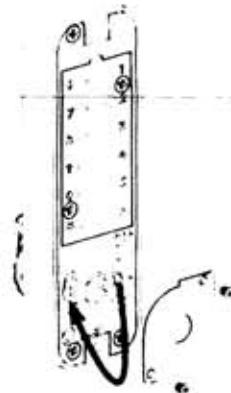
II. CONFIRM THE POSITION OF HINGE BEFORE INSTALLATION

DIGITAL DOOR LOCK is equipped with "FOR RIGHT HAND DOOR" which the hinge is installed on the right of the door on the sight from the out-door regardless of the opening direction of the door, as shown in Fig.1.

*** In case of "FOR LEFT HAND DOOR", change the PIN as the following explanation. ***

- Remove 2 blue colored screws by the driver and take off the rectangular lid.
- After pulling up the PIN by the supplied tweezers, insert it into the LEFT hole sufficiently. (as Fig. 2.)
- Reset the lid with 2 blue colored screws.

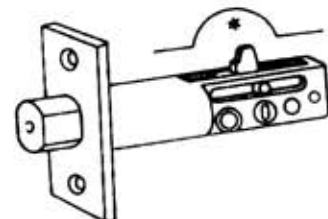
Fig. 2



III. HOW TO INSTALL THE DIGITAL DOOR LOCK

- Use a template at first and decide the position where DIGITAL DOOR LOCK is to be installed.
- Drill holes as per template.

Fig. 3



IMPORTANT

You must ensure that inside of 22mm (7/8") mortise hole is enlarged by moving wood drill up and down or using a small chisel - This is to give clearance for movement of "CAM" which moves up as dead bolt is thrown (as shown in diagram*) (Fig.3) - check clearance required by turning spindle in dead bolt and view movement of CAM.

- After placing the Rubber Escutcheon to the back-side of outside body, insert 2 hexagonal legs of the outside body into the holes of upper and lower position on the door. (See Fig.4.)

Fig. 4

